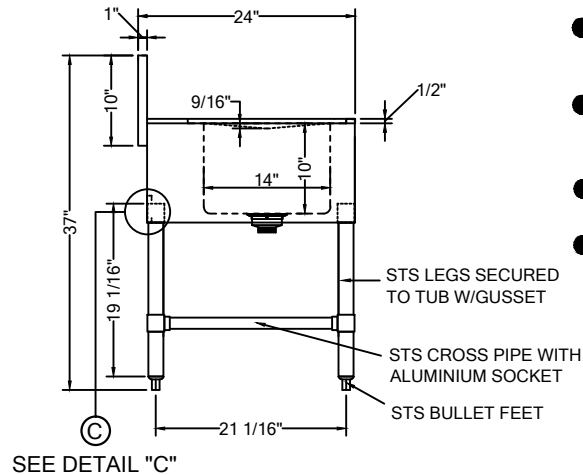
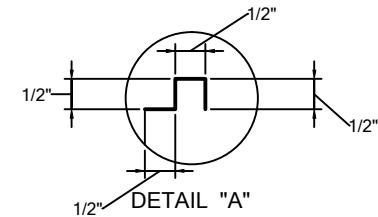


FRONT ELEVATION

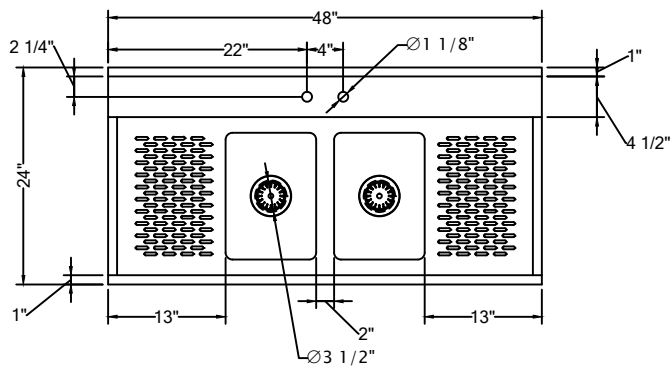


PLAN VIEW

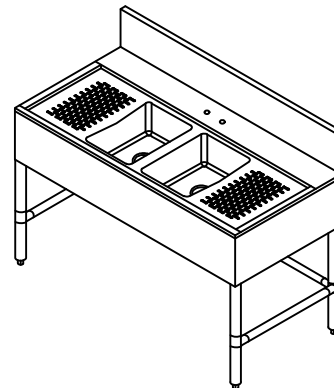
- 18 GA. 304 STAINLESS STEEL CONSTRUCTION.
- STS LEGS WITH ADJUSTABLE STS BULLET FEET.
- DECK MOUNT FAUCET HOLES ON 4" O.C.
- DRAIN BASKET INCLUDED.



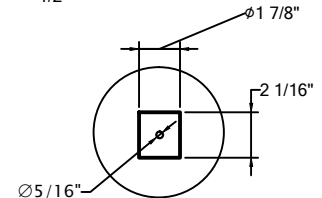
DETAIL "A"



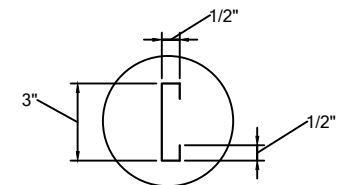
PLAN VIEW



ISOMETRIC



DETAIL "B"



DETAIL "C"

DRAWIN FOR :	MAT.	TOP : 18GA. 304S/S	DATE	REVISIONS
		BASE :	Aug / 11 / 2017	Change deck mount size from 5.45" to 4.5".
REF. NO :	REQ'D/ITEM :		May / 17 / 2018	Change name of TA-BS32448LR to TA-BS22448LR
ITEM NAME : Bar Sink	DATE : May / 17 / 2018			
PROD. NO. : TA-BS22448LR	BY :			
SCALE: 1/2" =1'-0"	CHECKED BY :			

Tarrison
Products Ltd.